

VYR-802 AG



Ref. 008023



Ref. 008020



Ref. 008025

VYR-802 AG · Full circle AG

GENERAL PROPERTIES:

- Part-circle plastic impact sprinkler for gardening, agriculture, floriculture and greenhouses.
- 1/2" male connection.
- Made of plastic, brass and stainless steel.
- High-resistance rotating joints.
- Arm with anti-splash design.
- Adjustable deflector plate.
- Upper "clip" for positioning inside a casing (VYR-962 AQUA-PRO).
- Irrigation area system controlled by rotating clips.
- Adjustable jet breaker diffuser pin.
- Its versatility and adaptability to all type of gardens make this model one of most common for home gardening.
- This model is also used in low flow agricultural irrigation systems as a complementary part-circle model to VYR-26 and VYR-16.

TECHNICAL SPECIFICATIONS:

- Reach: 10 - 13 m
- Flow: 460 - 1.180 l/h
- Working pressure: 1.5 - 4 BAR
- Area: Full or part circle.
- Nozzles: A multi-jet nozzle.
- Trajectory angles: 26°
- Maximum stream height: 2.5 m
- Rotation time: Adjustable. Depending on the pressure and the nozzles, the rotation will be constant and continuous.
- Uniformity coefficient higher than 90% in areas of 10x10R, 12x12T and 12x13T (meters).

APPLICATIONS:

- Public and private gardens.
- Horticultural plantations, floriculture and fruit trees.

MEASUREMENTS:

- Width: 13 cm / 5,1 in.
- Height: 12 cm / 4,7 in.
- Weight: 220 g / 0,5 Lbs
- Units per box: 100

OPTIONS:

- Available with a brass arm for faster and more consistent rotation (in areas with strong winds).
- Self-compensating flow control valves of 2.5 BAR.
- Assembled as a "complete support kit" on a 1.3 or 0.7 m galvanized stake with microtube and connectors.
- Assembled as a "complete support kit" on a brass, aluminium or plastic spike.
- Assembled as a "complete support kit" on an aluminium base.

MODELS:

- Ref. 008023: VYR-802 full circle plastic arm.
- Ref. 008025: VYR-802 full circle brass arm.

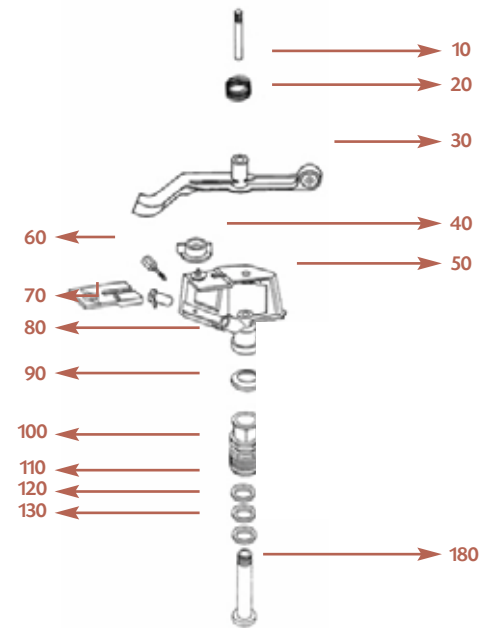


TABLES & PARTS

Technical guidance table VYR-802

NOZZLE	BAR PSI	Spacing (m) / Precipit. rate (mm/h) Spacing (ft) / Precipit. rate (in/h)					
		9x9 30x30	9x9 T 30x30 T	9x10 T 33x33 T	10x10 T 33x33 T	10x12 33x39	12x12 39x39
3 mm 1/8"	2,5	6,7	6	4,6	4,3	4,1	3,5
	36	0,26	0,24	0,18	0,17	0,16	0,14
	3	7,6	6,8	5,3	5	4,7	4
3,5 mm 9/64"	44	0,30	0,27	0,21	0,20	0,19	0,16
	3,5	8,5	7,6	5,9	5,6	5,3	4,5
	51	0,33	0,30	0,23	0,22	0,21	0,18
4 mm 5/32"	2,5	9	8,1	6,3	6	5,6	4,8
	36	0,35	0,32	0,25	0,24	0,22	0,19
	3	10,1	9,1	7,2	6,8	6,4	5,4
3,5 mm 9/64"	44	0,40	0,36	0,28	0,27	0,25	0,21
	3,5	11,2	10,1	8	7,6	7,1	6
	51	0,44	0,40	0,31	0,30	0,28	0,24
4 mm 5/32"	2,5	11,5	10,4	8,3	7,9	7,3	6,2
	36	0,45	0,41	0,33	0,31	0,29	0,24
	3	12,9	11,7	9,4	8,9	8,2	6,9
4 mm 5/32"	44	0,51	0,46	0,37	0,35	0,32	0,27
	3,5	14,2	12,9	10,4	9,8	9,1	7,7
	51	0,56	0,51	0,41	0,39	0,36	0,30

T: Triang. CU < 85% CU 85-88% CU 88-92% CU > 92%



Performance nozzle table VYR-802

NOZZLE	3 mm 1/8"		3,5 mm 9/64"		4 mm 5/32"	
	L/H GPH	Ø m Ø ft	L/H GPH	Ø m Ø ft	L/H GPH	Ø m Ø ft
1,5	450	20	580	21	730	22
22	119	66	153	69	193	72
2	510	21	660	22	850	23
29	135	69	174	72	225	75
2,5	550	22	740	23	950	24
36	145	72	195	75	251	79
3	630	23	810	23	1030	24
44	166	75	214	75	272	79
3,5	680	23	870	24	1110	25
51	180	75	230	79	293	82
4	720	24	930	25	1180	26
58	190	79	246	82	312	85

Standard Ø: Diameter range



- Sprinklers will be supplied with standard nozzles unless otherwise specified.
- These results has benn obtained at indoor laboratory with 0 m/seg win velocity. Outdoor results may change range distances.



Ajustable deflector plate

Anti back-splash arm



Ajustable difuser pin